



Potential Ideas for Mitigation

Context Sensitive Design

- **Use of a Modern Prefabricated Truss**
- **Aesthetic Treatment on Bridge Railings**
 - **Architectural Treatments to Concrete**
 - Using form liners for concrete texturing with or without color coatings applied
 - **Powder coating on steel railing**
- **Note: Only up to 5% of the total bridge construction cost can go toward aesthetic treatments on structures.**

Modern Prefabricated Truss



Modern Prefabricated Truss



Modern Prefabricated Truss



Modern Prefabricated Truss



Modern Prefabricated Truss



Architectural Treatment Options



SCULPTED DOGWOOD BLOSSOM



SCULPTED OAK LEAVES



SCULPTED FISH



CHISELED LIMESTONE



PEA GRAVEL



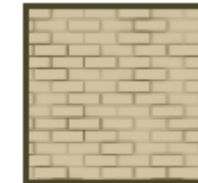
CHISELED SANDSTONE



RANDOM COBBLE



VERTICAL FRACTURED STONE



3-D BRICK



CEDAR STAKE

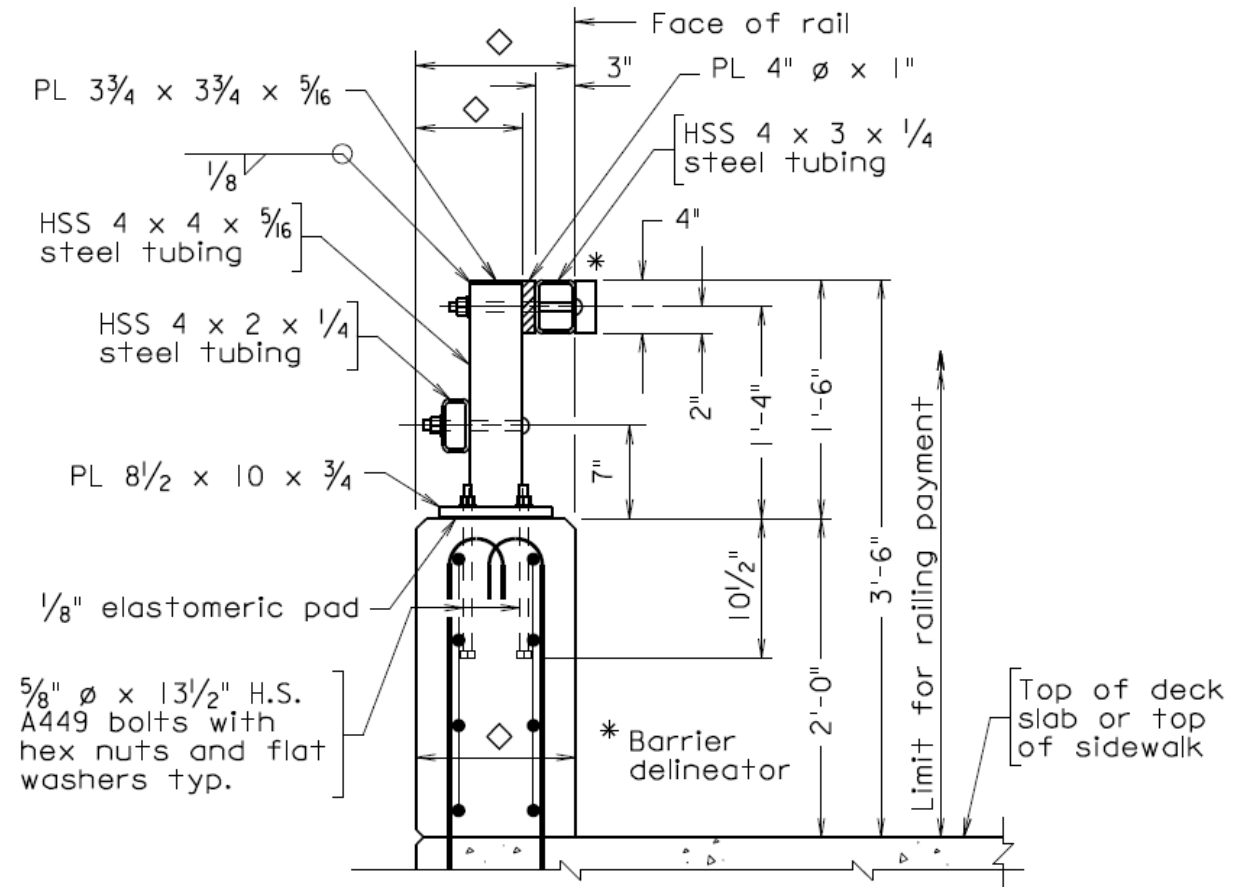
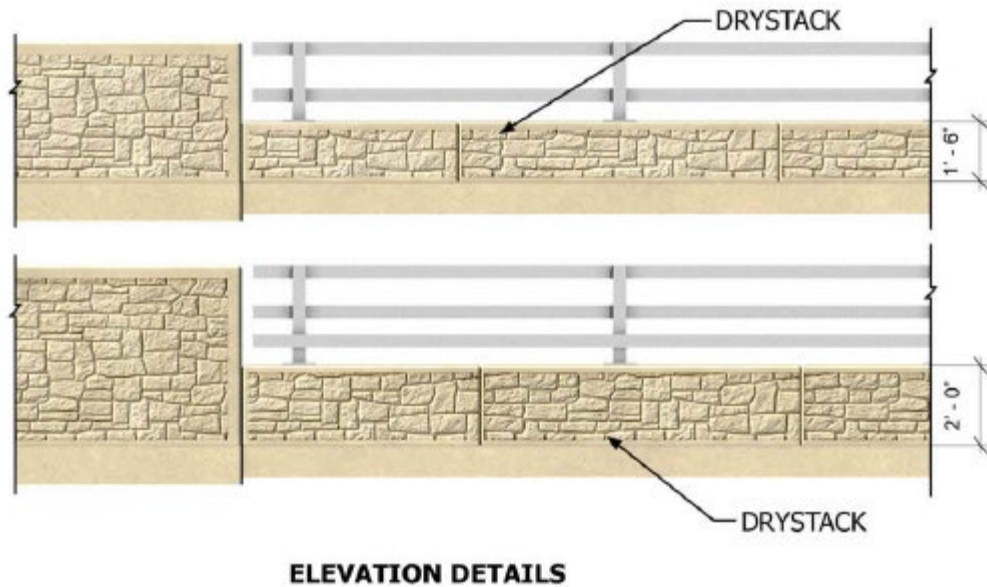


RUSTIC BRICK



DRystack

Architectural Treatments to Concrete



Maximum of 1" Relief on traffic side

Architectural Treatment w/ Powder Coated Rails



Architectural Treatment w/o Powder Coated Rails



